



**INSTITUTO DE CIENCIAS
DE LA CONSTRUCCIÓN
EDUARDO TORROJA**

C/ Serrano Galvache n. 4 28033 Madrid (Spain)
Tel.: (34) 91 302 04 40 Fax: (34) 91 302 07 00
direccion.ietcc@csic.es <https://dit.ietcc.csic.es>

European Technical Assessment

ETA 21/0364 of 29/04/2021

English translation prepared by IETcc. Original version in Spanish language

General Part

Technical Assessment Body issuing the ETA designated according to Art. 29 of Regulation (EU) 305/2011:

Instituto de Ciencias de la Construcción Eduardo Torroja (IETcc)

Trade name of the construction product:

**Outifix DFX
Outifix DFX/A4**

Product family to which the construction product belongs:

Deformation controlled anchor made of galvanized steel or stainless steel or stainless steel of sizes M6, M8, M10, M12 and M16 for use in concrete for redundant non-structural systems

Manufacturer:

Outifix
24, rue de Londres
75009 Paris.
France.

Manufacturing plant:

Plant 1

This European Technical Assessment contains:

12 pages including 3 annexes which form an integral part of this assessment.

This European Technical Assessment is issued in accordance with regulation (EU) No 305/2011, on the basis of:

European Assessment Document EAD 330747-00-0601, "Fasteners for use in concrete for redundant non-structural systems", ed. May 2018.

This version is a corrigendum of:

ETA 21/0364 issued on 29/04/2021

English translation prepared by IETcc

This European Technical Assessment is issued by the Technical Assessment Body in its official language. Translations of this European Technical Assessment in other languages shall fully correspond to the original issued document and should be identified as such.

This European Technical Assessment may be withdrawn by the issuing Technical Assessment Body, in particular pursuant to information by the Commission according to article 25 (3) of Regulation (EU) No 305/2011.

English translation prepared by IETcc

SPECIFIC PART

1. Technical description of the product

The Outifix DFX in the range of M6 to M16, is an anchor made of galvanised steel. The Outifix DFX/A4, in the range of M6 to M16, is an anchor made of stainless steel. They are placed into a drilled hole and anchored by deformation-controlled expansion. The anchorage is characterised by friction between the sleeve and concrete.

Product and installation descriptions are given in annexes A1 and A2.

2. Specification of the intended use in accordance with the applicable European Assessment Document

The performances given in section 3 are only valid if the anchor is used in compliance with the specifications and conditions given in annex B.

The verifications and assessment methods on which this European Technical Assessment is based lead to the assumption of a working life of the anchor of at least 50 years. The indications given on the working life cannot be interpreted as a guarantee given by the producer, but are to be regarded only as a mean to choosing the right products in relation to the expected economically reasonable working life of the works.

3. Performance of the product and references to the methods used for its assessment

3.1 Safety in case of fire (BWR 2)

Essential characteristic	Performance
Reaction to fire	Anchorage satisfies requirements for class A1 according to EN13501-1
Resistance to fire	See annex C5

3.2 Safety in use (BWR 4)

Essential characteristic	Performance
Characteristic resistance under static or quasi static loading	See annexes C3 and C4

4. Assessment and Verification of Constancy of Performances (hereinafter AVCP) system applied, with reference to its legal base

The applicable European legal act for the system of Assessment and Verification of Constancy of Performances (see annex V to Regulation (EU) No 305/2011) is 97/161/EC.

The system to be applied is 2+.

English translation prepared by IETcc

5. Technical details necessary for the implementation of the AVCP system, as provided for in the applicable European Assessment Document

The technical details necessary for the implementation of the AVCP system are laid down in the quality plan deposited at Instituto de Ciencias de la Construcción Eduardo Torroja.



Instituto de Ciencias de la Construcción Eduardo Torroja
CONSEJO SUPERIOR DE INVESTIGACIONES CIENTÍFICAS

C/ Serrano Galvache n.º 4. 28033 Madrid.
Tel: (+34) 91 302 04 40 Fax. (+34) 91 302 07 00

<https://dit.ietcc.csic.es>



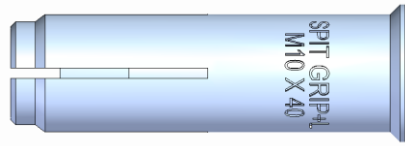
On behalf of the Instituto de Ciencias de la Construcción Eduardo Torroja
Madrid, 29th of April 2021

Director



English translation prepared by IETcc

Product



DFX



DFX/A4

Identification on sleeve:

DFX: "Spit GRIP+L" / Metric x length; e.g: "SPIT GRIP+ L" "M10x40"

DFX/A4: "Spit GRIP+" / Metric x length; e.g: "SPIT GRIP+" "M10x40 A4"

Table A1: Dimensions

Anchor dimensions		M6x25	M8x30	M10x25	M10x40	M12x50	M16x65
DFX							
ØD: External diameter	[mm]	8	10	12	12	15	20
Ød: internal diameter	[mm]	M6	M8	M10	M10	M12	M16
L: total length	[mm]	25	30	25	40	50	65
DFX/A4							
ØD: External diameter	[mm]	8	10	--	12	15	20
Ød: internal diameter	[mm]	M6	M8	--	M10	M12	M16
L: total length	[mm]	25	30	--	40	50	65

Table A2: Materials

Item	Designation	Material for DFX	Material for DFX/A4
1	Sleeve	Carbon steel, zinc plated $\geq 5 \mu\text{m}$ ISO 4042 Zn5/An/T0	Stainless steel, grade A4
2	Cone	Carbon steel, zinc plated $\geq 5 \mu\text{m}$ ISO 4042 Zn5/An/T0	Stainless steel, grade A4
3	Retention disc	Plastic	Plastic

DFX, DFX/A4

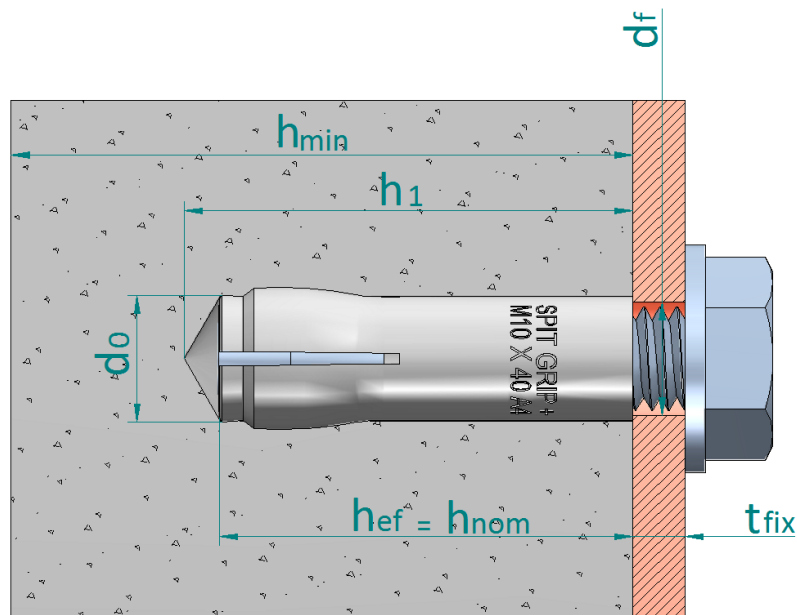
Product description

Product and materials

Annex A1

English translation prepared by IETcc

Installed condition



- h_{ef} : Effective anchorage depth
- h_1 : Depth of drilled hole
- h_{nom} : Overall anchor embedment depth in the concrete
- h_{min} : Minimum thickness of concrete member
- t_{fix} : Thickness of fixture
- d_0 : Nominal diameter of drill bit
- d_f : Fixture clearance hole diameter

Setting tool



Table A3: Setting tool dimensions

Setting tool dimensions		M6x25	M8x30	M10x25	M10x40	M12x50	M16x65
Ø D ₁	[mm]	8.0	10.0	12.0	12.0	15.0	20.0
Ø D ₂	[mm]	4.9	6.4	8,2	8.2	10.0	13.5
L _s	[mm]	15.0	18.0	16.0	21.0	30.0	36.0

Setting tool can be assembled with a plastic handle for hand protection purposes

DFX, DFX/A4

Product description

Installed condition and setting tool

Annex A2

Specifications of intended use

Anchorage subjected to:

- Static or quasi static loads for redundant non-structural systems
- Fire exposure
- The anchor may only be used if in the design and installation specifications for the fixture the excessive slip or failure of one anchor will not result in a significant violation of the requirements on the fixture in the serviceability and ultimate state.

Base materials:

- Reinforced or unreinforced normal weight concrete without fibres according to EN 206-1:2013+A1:2016
- Strength classes C12/15 to C50/60 according to EN 206-1:2013+A1:2016: DFX anchors
- Strength classes C20/25 to C50/60 according to EN 206-1:2013+A1:2016: DFX/A4 anchors
- Cracked or uncracked concrete

Use conditions (environmental conditions):

- DFX: anchorages subjected to dry internal conditions.
- DFX/A4: anchorages subjected to dry internal conditions, to external atmospheric exposure (including industrial and marine environment) or to permanent internal damp conditions if no particular aggressive conditions exist. Such particular aggressive conditions are e.g. permanent, alternating immersion in seawater or the splash zone of seawater, chloride atmosphere of indoor swimming pools or atmosphere with extreme chemical pollution (e.g. in desulphurization plants or road tunnels where de-icing materials are used). Atmospheres under Corrosion Resistance Class CRC III according to EN 1993-1-4:2006+A1:2015 annex A.

Design:

- Anchorages are designed under the responsibility of an engineer experienced in anchorages and concrete.
- Verifiable calculation rules and drawings are prepared taking into account of the loads to be anchored. The position of the anchor is indicated on the design drawings (e.g. position of the anchor relative to reinforcement or to supports, etc.).
- Anchorages under static or quasi-static actions are designed for design method B in accordance with EN 1992-4:2018
- Anchorages under fire exposure are designed in accordance to EN 1992-4:2018. It must be ensured that local spalling of the concrete cover does not occur.

Installation:

- Hole drilling by rotary plus hammer mode.
- Anchor installation carried out by appropriately qualified personal and under the supervision of the person responsible for technical matters of the site.
- In case of aborted hole: new drilling at a minimum distance away of twice the depth of aborted hole or smaller distance if the aborted hole is filled with high strength mortar and if under shear or oblique tension load it is not the direction of the load application.
- DFX: the bolt or threaded rod to be used shall be property class 4.6, 5.6, 5.8, 6.8 or 8.8 according to ISO 898-1.
- DFX/A4: the bolt or threaded rod to be used shall be property class A4-50, A4-70 or A4-80 according to EN 3506-1:2009
- The length of the bolt shall be determined as:
 - Minimum bolt length = $t_{fix} + l_{s,min}$
 - Maximum bolt length = $t_{fix} + l_{s,max}$

DFX, DFX/A4	Annex B1
Intended use	
Specifications	

English translation prepared by IETcc

Table C1: Installation parameters for DFX, DFX/A4

Installation parameters		Performances					
		M6 x 25	M8 x 30	M10 x 25	M10 x 40	M12 x 50	M16 x 65
d _o	Nominal diameter of drill bit: [mm]	8	10	12	12	15	20
D	Thread diameter: [mm]	M6	M8	M10	M10	M12	M16
d _f	Fixture clearance hole diameter ≤ [mm]	7	9	12	12	14	18
T _{inst}	Maximum installation torque: [Nm]	4	11	17	17	38	60
DFX							
ℓ _{s,min}	Minimum screwing depth: [mm]	6	8	8	10	12	16
ℓ _{s,max}	Maximum screwing depth: [mm]	10	13	13	17	21	27
h ₁	Depth of drilled hole: [mm]	27	33	28	43	54	70
h _{nom}	Overall anchor embedment depth: [mm]	25	30	25	40	50	65
h _{ef}	Effective anchorage depth: [mm]	25	30	25	40	50	65
h _{min}	Minimum thickness of concrete member: [mm]	100	100	80	100	100	130
s _{min}	Minimum allowable spacing: [mm]	60	60	75	80	100	130
c _{min}	Minimum allowable distance: [mm]	105	105	60	140	175	230
DFX/A4							
ℓ _{s,min}	Minimum screwing depth: [mm]	6	8	--	10	12	16
ℓ _{s,max}	Maximum screwing depth: [mm]	10	13	--	17	21	27
h ₁	Depth of drilled hole: [mm]	27	33	--	43	54	70
h _{nom}	Overall anchor embedment depth: [mm]	25	30	--	40	50	65
h _{ef}	Effective anchorage depth: [mm]	25	30	--	40	50	65
h _{min}	Minimum thickness of concrete member: [mm]	80	80	--	80	100	130
s _{min}	Minimum allowable spacing: [mm]	60	60	--	100	100	130
c _{min}	Minimum allowable distance: [mm]	65	80	--	100	130	175

DFX, DFX/A4

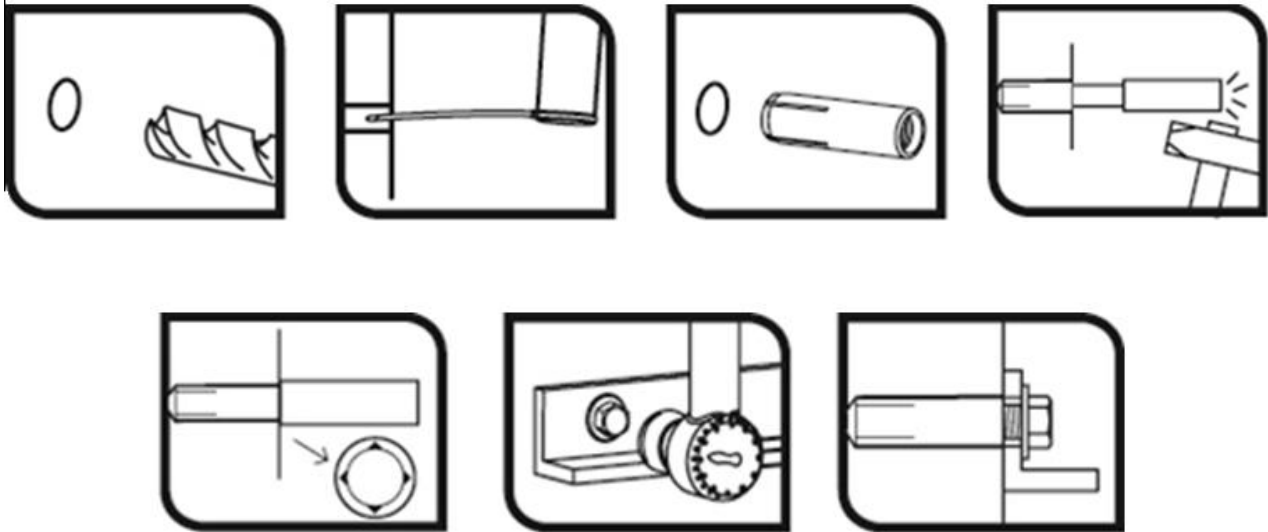
Performances

Installation parameters

Annex C1

English translation prepared by IETcc

Installation process



DFX, DFX/A4

Performances

Installation procedure

Annex C2

English translation prepared by IETcc

Table C2: Characteristic values to loads of design method B according to EN 1992-4 for DFX anchor

Characteristic values of resistance to loads of design method B		Performances					
		M6 x 25	M8 x 30	M10 x 25	M10 x 40	M12 x 50	M16 x 65
All load direction							
F_{Rk}^0	Characteristic resistance in C12/15 concrete: [kN]	1.5	3.0	--	4.0	6.0	9.0
F_{Rk}^0	Characteristic resistance in C20/25 to C50/60 concrete: [kN]	2.0	3.0	4.0	5.0	7.5	12.0
γ_{ins}	Installation safety factor: [-]	1.2	1.2	1.2	1.4	1.4	1.4
S_{Cr}	Critical spacing: [mm]	75	90	120	120	150	195
C_{Cr}	Critical edge distance: [mm]	40	45	60	60	75	100
Shear loads: steel failure with lever arm							
$M_{Rk,s}^0$	Characteristic bending moment, steel class 4.6 [Nm]	6.1	15.0	29.9	29.9	52.4	133.3
$\gamma_{Ms}^{1)}$	Partial safety factor: [-]	1.67					
$M_{Rk,s}^0$	Characteristic bending moment, steel class 4.8 [Nm]	6.1	15.0	29.9	29.9	52.4	133.3
$\gamma_{Ms}^{1)}$	Partial safety factor: [-]	1.25					
$M_{Rk,s}^0$	Characteristic bending moment, steel class 5.6 [Nm]	7.6	18.8	37.4	37.4	65.5	166.6
$\gamma_{Ms}^{1)}$	Partial safety factor: [-]	1.67					
$M_{Rk,s}^0$	Characteristic bending moment, steel class 5.8 [Nm]	7.6	18.8	37.4	37.4	65.5	166.6
$\gamma_{Ms}^{1)}$	Partial safety factor: [-]	1.25					
$M_{Rk,s}^0$	Characteristic bending moment, steel class 6.8 [Nm]	9.2	22.5	44.9	44.9	78.7	199.9
$\gamma_{Ms}^{1)}$	Partial safety factor: [-]	1.25					
$M_{Rk,s}^0$	Characteristic bending moment, steel class 8.8 [Nm]	12.2	30.0	59.9	59.9	104.9	266.6
$\gamma_{Ms}^{1)}$	Partial safety factor: [-]	1.25					

1) In absence of other national regulations

DFX

Performances

Characteristic resistances

Annex C3

English translation prepared by IETcc

Table C3: Characteristic values to loads of design method B according to EN 1992-4 for DFX/A4 anchor

Characteristic values of resistance to loads of design method B			Performances				
			M6x25	M8x30	M10x40	M12x50	M16x65
All load direction							
F_{Rk}^0	Characteristic resistance in C20/25 to C50/60 concrete:	[kN]	2.5	3.5	3.5	6.5	12.5
γ_{ins}	Installation safety factor:	[-]	1.4				
S_{cr}	Critical spacing:	[mm]	200	200	200	200	260
C_{cr}	Critical edge distance:	[mm]	150	150	150	150	195
Shear loads: steel failure with lever arm							
$M_{Rk,s}^0$	Characteristic bending moment, steel class A4-50	[Nm]	7.6	18.8	37.4	65.6	166.6
$\gamma_{Ms}^{1)}$	Partial safety factor:	[-]	2.38				
$M_{Rk,s}^0$	Characteristic bending moment, steel class A4-70	[Nm]	10.6	6.3	52.4	91.8	233.1
$\gamma_{Ms}^{1)}$	Partial safety factor:	[-]	1.56				
$M_{Rk,s}^0$	Characteristic bending moment, steel class A4-80	[Nm]	12.2	30.0	59.9	104.9	266.6
$\gamma_{Ms}^{1)}$	Partial safety factor:	[-]	1.34				

1) In absence of other national regulations

DFX/A4	Annex C4
Performances	
Characteristic resistances	

English translation prepared by IETcc

Table C4: Characteristic resistance under fire exposure in concrete C20/25 to C50/50 in any load direction according to EN 1992-4 for DFX anchor

Characteristic resistance under fire exposure in concrete C20/25 to C50/60 in any load direction for use in concrete				Performances					
				M6 x 25	M8 x 30	M10 x 25	M10 x 40	M12 x 50	M16 x 65
R30	Characteristic resistance:	$F_{Rk,fi30}^{0\ 1)}$	[kN]	0.20	0.40	0.54	0.90	1.70	3.10
R60	Characteristic resistance:	$F_{Rk,fi60}^{0\ 1)}$	[kN]	0.20	0.30	0.54	0.80	1.30	2.40
R90	Characteristic resistance:	$F_{Rk,fi90}^{0\ 1)}$	[kN]	0.10	0.30	0.54	0.60	1.10	2.00
R120	Characteristic resistance:	$F_{Rk,fi120}^{0\ 1)}$	[kN]	0.10	0.20	0.43	0.50	0.80	1.60
R30 to	Spacing	$S_{cr,fi}$	[mm]	4 x h_{ef}					
R120	Edge distance	$C_{cr,fi}$	[mm]	2 x h_{ef}					

¹⁾ in absence of other national regulations the partial safety factor for resistance under fire exposure $\gamma_{M,fi} = 1.0$ is recommended
If fire attack is from more than one side, the design method may be taken if edge distance of the anchor is $c \geq 300$ mm

Table C5: Characteristic resistance under fire exposure in concrete C20/25 to C50/50 in any load direction according to EN 1992-4 for DFX/A4 anchor

Characteristic resistance under fire exposure in concrete C20/25 to C50/60 in any load direction for use in concrete				Performances				
				M6x25	M8x30	M10x40	M12x50	M16x65
R30	Characteristic resistance:	$F_{Rk,fi30}^{0\ 1)}$	[kN]	0.20	0.73	0.87	1.63	3.19
R60	Characteristic resistance:	$F_{Rk,fi60}^{0\ 1)}$	[kN]	0.18	0.59	0.87	1.63	3.19
R90	Characteristic resistance:	$F_{Rk,fi90}^{0\ 1)}$	[kN]	0.14	0.44	0.87	1.63	3.14
R120	Characteristic resistance:	$F_{Rk,fi120}^{0\ 1)}$	[kN]	0.10	0.37	0.69	1.30	2.51
R30 to	Spacing	$S_{cr,fi}$	[mm]	4 x h_{ef}				
R120	Edge distance	$C_{cr,fi}$	[mm]	2 x h_{ef}				

¹⁾ in absence of other national regulations the partial safety factor for resistance under fire exposure $\gamma_{M,fi} = 1.0$ is recommended
If fire attack is from more than one side, the design method may be taken if edge distance of the anchor is $c \geq 300$ mm

DFX, DFX/A4

Performances

Resistances under fire exposure

Annex C5