



**INSTITUTO DE CIENCIAS  
DE LA CONSTRUCCIÓN  
EDUARDO TORROJA**

C/ Serrano Galvache n. 4 28033 Madrid (Spain)  
Tel.: (34) 91 302 04 40 Fax: (34) 91 302 07 00  
[direccion.ietcc@csic.es](mailto:direccion.ietcc@csic.es) <https://dit.ietcc.csic.es>

## European Technical Assessment

## ETA 21/0176 of 04/03/2021

English translation prepared by IETcc. Original version in Spanish language

### General Part

**Technical Assessment Body issuing the ETA designated according to Art. 29 of Regulation (EU) 305/2011:**

Instituto de Ciencias de la Construcción Eduardo Torroja (IETcc)

**Trade name of the construction product:**

**Spit Grip+/L, Spit Grip+/A4**

**Product family to which the construction product belongs:**

Deformation controlled anchor made of galvanized steel or stainless steel or stainless steel of sizes M6, M8, M10, M12 and M16 for use in concrete for redundant non-structural systems

**Manufacturer:**

**Spit SAS**  
150, Route de Lyon  
26500 Bourg les Valence.  
France.  
website: [www.spitpaslode.com](http://www.spitpaslode.com)

**Manufacturing plant:**

Plant 1

**This European Technical Assessment contains:**

12 pages including 3 annexes which form an integral part of this assessment.

**This European Technical Assessment is issued in accordance with regulation (EU) No 305/2011, on the basis of:**

European Assessment Document EAD 330747-00-0601, "Fasteners for use in concrete for redundant non-structural systems", ed. May 2018.

**This ETA is a corrigendum of:**

ETA 21/0176 issued on 04/03/2021

*English translation prepared by IETcc*

This European Technical Assessment is issued by the Technical Assessment Body in its official language. Translations of this European Technical Assessment in other languages shall fully correspond to the original issued document and should be identified as such.

This European Technical Assessment may be withdrawn by the issuing Technical Assessment Body, in particular pursuant to information by the Commission according to article 25 (3) of Regulation (EU) No 305/2011.

English translation prepared by IETcc

## SPECIFIC PART

### 1. Technical description of the product

The Spit Grip+/L in the range of M6 to M16, is an anchor made of galvanised steel. The Spit Grip+/A4, in the range of M6 to M16, is an anchor made of stainless steel. They are placed into a drilled hole and anchored by deformation-controlled expansion. The anchorage is characterised by friction between the sleeve and concrete.

Product and installation descriptions are given in annexes A1 and A2.

### 2. Specification of the intended use in accordance with the applicable European Assessment Document

The performances given in section 3 are only valid if the anchor is used in compliance with the specifications and conditions given in annex B.

The verifications and assessment methods on which this European Technical Assessment is based lead to the assumption of a working life of the anchor of at least 50 years. The indications given on the working life cannot be interpreted as a guarantee given by the producer, but are to be regarded only as a mean to choosing the right products in relation to the expected economically reasonable working life of the works.

### 3. Performance of the product and references to the methods used for its assessment

#### 3.1 Safety in case of fire (BWR 2)

Essential characteristic	Performance
Reaction to fire	Anchorage satisfies requirements for class A1 according to EN13501-1
Resistance to fire	See annex C5

#### 3.2 Safety in use (BWR 4)

Essential characteristic	Performance
Characteristic resistance under static or quasi static loading	See annexes C3 and C4

### 4. Assessment and Verification of Constancy of Performances (hereinafter AVCP) system applied, with reference to its legal base

The applicable European legal act for the system of Assessment and Verification of Constancy of Performances (see annex V to Regulation (EU) No 305/2011) is 97/161/EC.

The system to be applied is 2+.

English translation prepared by IETcc

**5. Technical details necessary for the implementation of the AVCP system, as provided for in the applicable European Assessment Document**

The technical details necessary for the implementation of the AVCP system are laid down in the quality plan deposited at Instituto de Ciencias de la Construcción Eduardo Torroja.



Instituto de Ciencias de la Construcción Eduardo Torroja  
CONSEJO SUPERIOR DE INVESTIGACIONES CIENTÍFICAS

C/ Serrano Galvache n.º 4. 28033 Madrid.  
Tel: (+34) 91 302 04 40 Fax. (+34) 91 302 07 00

<https://dit.ietcc.csic.es>

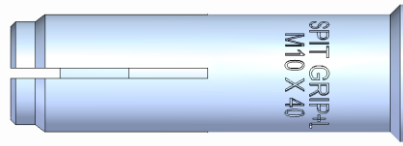


On behalf of the Instituto de Ciencias de la Construcción Eduardo Torroja  
Madrid, 4<sup>th</sup> of March 2021

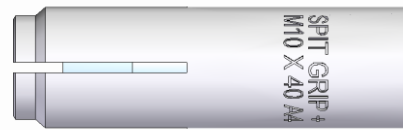


Director

**Product**



**Grip+/L**



**Grip+/A4**

Identification on sleeve:

Grip+/L: "SPIT GRIP+ L" / Metric x length; e.g: "SPIT GRIP+ L" "M10x40"

Grip+/A4: "SPIT GRIP" +/ Metric x length "A4"; e.g: "SPIT GRIP+" "M10x40 A4"

**Table A1: Dimensions**

Anchor dimensions		M6x25	M8x30	M10x25	M10x40	M12x50	M16x65
<b>Grip+/L</b>							
ØD: External diameter	[mm]	8	10	12	12	15	20
Ød: internal diameter	[mm]	M6	M8	M10	M10	M12	M16
L: total length	[mm]	25	30	25	40	50	65
<b>Grip+/A4</b>							
ØD: External diameter	[mm]	8	10	--	12	15	20
Ød: internal diameter	[mm]	M6	M8	--	M10	M12	M16
L: total length	[mm]	25	30	--	40	50	65

**Table A2: Materials**

Item	Designation	Material for Grip+/L	Material for Grip+/A4
1	Sleeve	Carbon steel, zinc plated $\geq 5 \mu\text{m}$ ISO 4042 Zn5/An/T0	Stainless steel, grade A4
2	Cone	Carbon steel, zinc plated $\geq 5 \mu\text{m}$ ISO 4042 Zn5/An/T0	Stainless steel, grade A4
3	Retention disc	Plastic	Plastic

**Grip+/L, Grip+/A4**

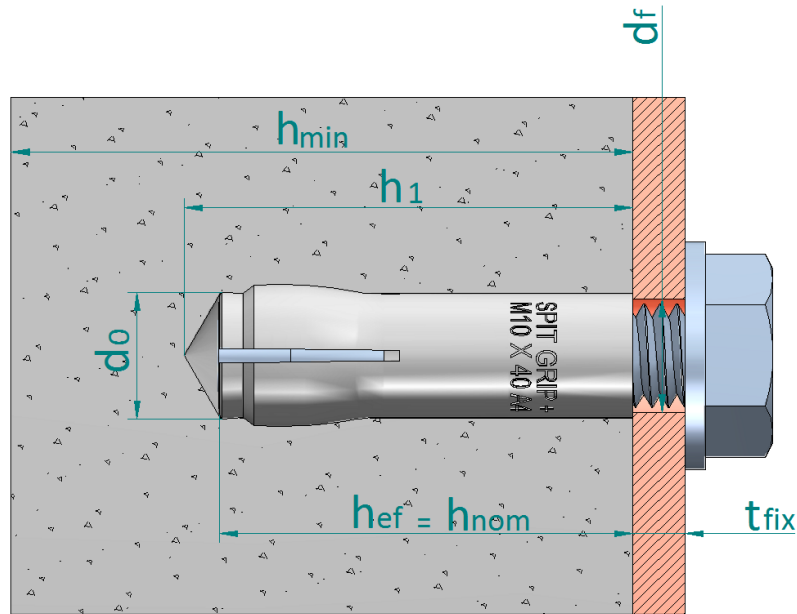
**Product description**

Product and materials

**Annex A1**

English translation prepared by IETcc

**Installed condition**



- $h_{ef}$ : Effective anchorage depth
- $h_1$ : Depth of drilled hole
- $h_{nom}$ : Overall anchor embedment depth in the concrete
- $h_{min}$ : Minimum thickness of concrete member
- $t_{fix}$ : Thickness of fixture
- $d_0$ : Nominal diameter of drill bit
- $d_f$ : Fixture clearance hole diameter

**Setting tool**



**Table A3: Setting tool dimensions**

Setting tool dimensions		M6x25	M8x30	M10x25	M10x40	M12x50	M16x65
Ø D <sub>1</sub>	[mm]	8.0	10.0	12.0	12.0	15.0	20.0
Ø D <sub>2</sub>	[mm]	4.9	6.4	8,2	8.2	10.0	13.5
L <sub>s</sub>	[mm]	15.0	18.0	16.0	21.0	30.0	36.0

Setting tool can be assembled with a plastic handle for hand protection purposes

**Grip+/L, Grip+/A4**

**Product description**

Installed condition and setting tool

**Annex A2**

## **Specifications of intended use**

### **Anchorage subjected to:**

- Static or quasi static loads for redundant non-structural systems
- Fire exposure
- The anchor may only be used if in the design and installation specifications for the fixture the excessive slip or failure of one anchor will not result in a significant violation of the requirements on the fixture in the serviceability and ultimate state.

### **Base materials:**

- Reinforced or unreinforced normal weight concrete without fibres according to EN 206-1:2013+A1:2016
- Strength classes C12/15 to C50/60 according to EN 206-1:2013+A1:2016: Grip+/L anchors
- Strength classes C20/25 to C50/60 according to EN 206-1:2013+A1:2016: Grip+/A4 anchors
- Cracked or uncracked concrete

### **Use conditions (environmental conditions):**

- Grip+/L: anchorages subjected to dry internal conditions.
- Grip+/A4: anchorages subjected to dry internal conditions, to external atmospheric exposure (including industrial and marine environment) or to permanent internal damp conditions if no particular aggressive conditions exist. Such particular aggressive conditions are e.g. permanent, alternating immersion in seawater or the splash zone of seawater, chloride atmosphere of indoor swimming pools or atmosphere with extreme chemical pollution (e.g. in desulphurization plants or road tunnels where de-icing materials are used). Atmospheres under Corrosion Resistance Class CRC III according to EN 1993-1-4:2006+A1:2015 annex A.

### **Design:**

- Anchorages are designed under the responsibility of an engineer experienced in anchorages and concrete.
- Verifiable calculation rules and drawings are prepared taking into account of the loads to be anchored. The position of the anchor is indicated on the design drawings (e.g. position of the anchor relative to reinforcement or to supports, etc.).
- Anchorages under static or quasi-static actions are designed for design method B in accordance with EN 1992-4:2018
- Anchorages under fire exposure are designed in accordance to EN 1992-4:2018. It must be ensured that local spalling of the concrete cover does not occur.

### **Installation:**

- Hole drilling by rotary plus hammer mode.
- Anchor installation carried out by appropriately qualified personal and under the supervision of the person responsible for technical matters of the site.
- In case of aborted hole: new drilling at a minimum distance away of twice the depth of aborted hole or smaller distance if the aborted hole is filled with high strength mortar and if under shear or oblique tension load it is not the direction of the load application.
- Grip+/L: the bolt or threaded rod to be used shall be property class 4.6, 5.6, 5.8, 6.8 or 8.8 according to ISO 898-1.
- Grip+/A4: the bolt or threaded rod to be used shall be property class A4-50, A4-70 or A4-80 according to EN 3506-1:2009
- The length of the bolt shall be determined as:
  - Minimum bolt length =  $t_{fix} + l_{s,min}$
  - Maximum bolt length =  $t_{fix} + l_{s,max}$

<b>Grip+/L, Grip+/A4</b>	<b>Annex B1</b>
<b>Intended use</b>	
Specifications	

English translation prepared by IETcc

**Table C1: Installation parameters for Grip+/L, Grip+/A4**

Installation parameters		Performances					
		M6 x 25	M8 x 30	M10 x 25	M10 x 40	M12 x 50	M16 x 65
d <sub>o</sub>	Nominal diameter of drill bit: [mm]	8	10	12	12	15	20
D	Thread diameter: [mm]	M6	M8	M10	M10	M12	M16
d <sub>f</sub>	Fixture clearance hole diameter ≤ [mm]	7	9	12	12	14	18
T <sub>inst</sub>	Maximum installation torque: [Nm]	4	11	17	17	38	60
<b>Grip+/L</b>							
ℓ <sub>s,min</sub>	Minimum screwing depth: [mm]	6	8	8	10	12	16
ℓ <sub>s,max</sub>	Maximum screwing depth: [mm]	10	13	13	17	21	27
h <sub>1</sub>	Depth of drilled hole: [mm]	27	33	28	43	54	70
h <sub>nom</sub>	Overall anchor embedment depth: [mm]	25	30	25	40	50	65
h <sub>ef</sub>	Effective anchorage depth: [mm]	25	30	25	40	50	65
h <sub>min</sub>	Minimum thickness of concrete member: [mm]	100	100	80	100	100	130
s <sub>min</sub>	Minimum allowable spacing: [mm]	60	60	75	80	100	130
c <sub>min</sub>	Minimum allowable distance: [mm]	105	105	60	140	175	230
<b>Grip+/A4</b>							
ℓ <sub>s,min</sub>	Minimum screwing depth: [mm]	6	8	--	10	12	16
ℓ <sub>s,max</sub>	Maximum screwing depth: [mm]	10	13	--	17	21	27
h <sub>1</sub>	Depth of drilled hole: [mm]	27	33	--	43	54	70
h <sub>nom</sub>	Overall anchor embedment depth: [mm]	25	30	--	40	50	65
h <sub>ef</sub>	Effective anchorage depth: [mm]	25	30	--	40	50	65
h <sub>min</sub>	Minimum thickness of concrete member: [mm]	80	80	--	80	100	130
s <sub>min</sub>	Minimum allowable spacing: [mm]	60	60	--	100	100	130
c <sub>min</sub>	Minimum allowable distance: [mm]	65	80	--	100	130	175

**Grip+/L, Grip+/A4**

**Performances**

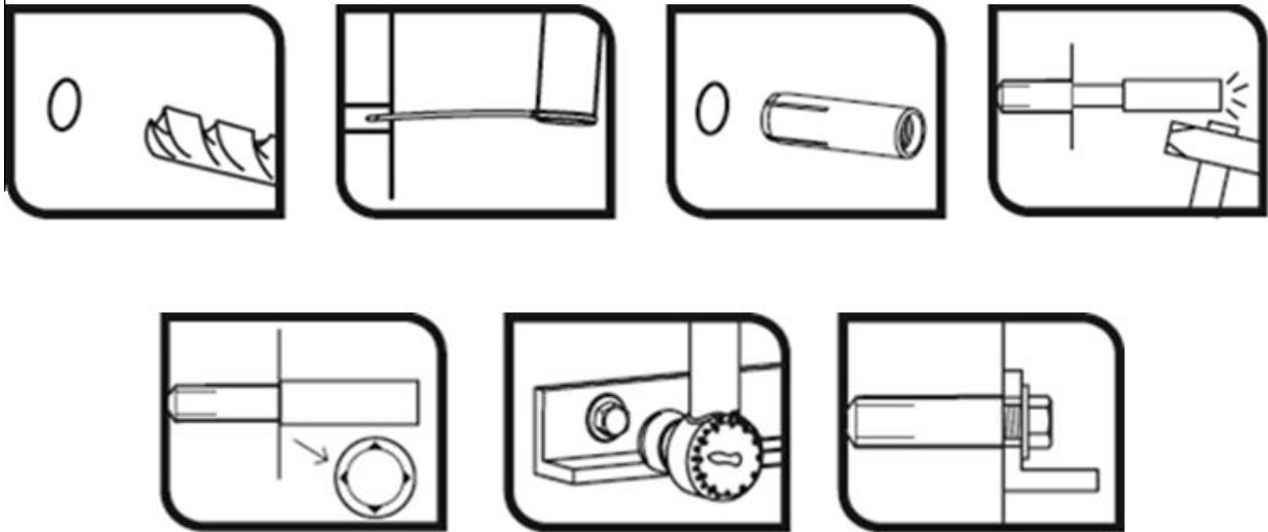
**Installation parameters**

**Annex C1**



English translation prepared by IETcc

### Installation process



**Grip+/L, Grip+/A4**

**Performances**

Installation procedure

**Annex C2**

English translation prepared by IETcc

**Table C2: Characteristic values to loads of design method B according to EN 1992-4 for Grip+/L anchor**

Characteristic values of resistance to loads of design method B		Performances					
		M6 x 25	M8 x 30	M10 x 25	M10 x 40	M12 x 50	M16 x 65
<b>All load direction</b>							
$F_{Rk}^0$	Characteristic resistance in C12/15 concrete: [kN]	1.5	3.0	--	4.0	6.0	9.0
$F_{Rk}^0$	Characteristic resistance in C20/25 to C50/60 concrete: [kN]	2.0	3.0	4.0	5.0	7.5	12.0
$\gamma_{ins}$	Installation safety factor: [-]	1.2	1.2	1.2	1.4	1.4	1.4
$S_{Cr}$	Critical spacing: [mm]	75	90	120	120	150	195
$C_{Cr}$	Critical edge distance: [mm]	40	45	60	60	75	100
<b>Shear loads: steel failure with lever arm</b>							
$M_{Rk,s}^0$	Characteristic bending moment, steel class 4.6 [Nm]	6.1	15.0	29.9	29.9	52.4	133.3
$\gamma_{Ms}^{1)}$	Partial safety factor: [-]	1.67					
$M_{Rk,s}^0$	Characteristic bending moment, steel class 4.8 [Nm]	6.1	15.0	29.9	29.9	52.4	133.3
$\gamma_{Ms}^{1)}$	Partial safety factor: [-]	1.25					
$M_{Rk,s}^0$	Characteristic bending moment, steel class 5.6 [Nm]	7.6	18.8	37.4	37.4	65.5	166.6
$\gamma_{Ms}^{1)}$	Partial safety factor: [-]	1.67					
$M_{Rk,s}^0$	Characteristic bending moment, steel class 5.8 [Nm]	7.6	18.8	37.4	37.4	65.5	166.6
$\gamma_{Ms}^{1)}$	Partial safety factor: [-]	1.25					
$M_{Rk,s}^0$	Characteristic bending moment, steel class 6.8 [Nm]	9.2	22.5	44.9	44.9	78.7	199.9
$\gamma_{Ms}^{1)}$	Partial safety factor: [-]	1.25					
$M_{Rk,s}^0$	Characteristic bending moment, steel class 8.8 [Nm]	12.2	30.0	59.9	59.9	104.9	266.6
$\gamma_{Ms}^{1)}$	Partial safety factor: [-]	1.25					

1) In absence of other national regulations

**Grip+/L**

**Performances**

Characteristic resistances

**Annex C3**

English translation prepared by IETcc

**Table C3: Characteristic values to loads of design method B according to EN 1992-4 for Grip+/A4 anchor**

Characteristic values of resistance to loads of design method B			Performances				
			M6x25	M8x30	M10x40	M12x50	M16x65
<b>All load direction</b>							
$F_{Rk}^0$	Characteristic resistance in C20/25 to C50/60 concrete:	[kN]	2.5	3.5	3.5	6.5	12.5
$\gamma_{ins}$	Installation safety factor:	[-]	1.4				
$S_{cr}$	Critical spacing:	[mm]	200	200	200	200	260
$C_{cr}$	Critical edge distance:	[mm]	150	150	150	150	195
<b>Shear loads: steel failure with lever arm</b>							
$M_{Rk,s}^0$	Characteristic bending moment, steel class A4-50	[Nm]	7.6	18.8	37.4	65.6	166.6
$\gamma_{Ms}^{1)}$	Partial safety factor:	[-]	2.38				
$M_{Rk,s}^0$	Characteristic bending moment, steel class A4-70	[Nm]	10.6	6.3	52.4	91.8	233.1
$\gamma_{Ms}^{1)}$	Partial safety factor:	[-]	1.56				
$M_{Rk,s}^0$	Characteristic bending moment, steel class A4-80	[Nm]	12.2	30.0	59.9	104.9	266.6
$\gamma_{Ms}^{1)}$	Partial safety factor:	[-]	1.34				

1) In absence of other national regulations

<b>Grip+/A4</b>	<b>Annex C4</b>
<b>Performances</b>	
Characteristic resistances	

English translation prepared by IETcc

**Table C4: Characteristic resistance under fire exposure in concrete C20/25 to C50/50 in any load direction according to EN 1992-4 for Grip+/L anchor**

Characteristic resistance under fire exposure in concrete C20/25 to C50/60 in any load direction for use in concrete				Performances					
				M6 x 25	M8 x 30	M10 x 25	M10 x 40	M12 x 50	M16 x 65
R30	Characteristic resistance:	$F_{Rk,fi30}^{0\ 1)}$	[kN]	0.20	0.40	0.54	0.90	1.70	3.10
R60	Characteristic resistance:	$F_{Rk,fi60}^{0\ 1)}$	[kN]	0.20	0.30	0.54	0.80	1.30	2.40
R90	Characteristic resistance:	$F_{Rk,fi90}^{0\ 1)}$	[kN]	0.10	0.30	0.54	0.60	1.10	2.00
R120	Characteristic resistance:	$F_{Rk,fi120}^{0\ 1)}$	[kN]	0.10	0.20	0.43	0.50	0.80	1.60
R30 to	Spacing	$S_{cr,fi}$	[mm]	4 x $h_{ef}$					
R120	Edge distance	$C_{cr,fi}$	[mm]	2 x $h_{ef}$					

<sup>1)</sup> in absence of other national regulations the partial safety factor for resistance under fire exposure  $\gamma_{M,fi} = 1.0$  is recommended  
If fire attack is from more than one side, the design method may be taken if edge distance of the anchor is  $c \geq 300$  mm

**Table C5: Characteristic resistance under fire exposure in concrete C20/25 to C50/50 in any load direction according to EN 1992-4 for Grip+/A4 anchor**

Characteristic resistance under fire exposure in concrete C20/25 to C50/60 in any load direction for use in concrete				Performances				
				M6x25	M8x30	M10x40	M12x50	M16x65
R30	Characteristic resistance:	$F_{Rk,fi30}^{0\ 1)}$	[kN]	0.20	0.73	0.87	1.63	3.19
R60	Characteristic resistance:	$F_{Rk,fi60}^{0\ 1)}$	[kN]	0.18	0.59	0.87	1.63	3.19
R90	Characteristic resistance:	$F_{Rk,fi90}^{0\ 1)}$	[kN]	0.14	0.44	0.87	1.63	3.14
R120	Characteristic resistance:	$F_{Rk,fi120}^{0\ 1)}$	[kN]	0.10	0.37	0.69	1.30	2.51
R30 to	Spacing	$S_{cr,fi}$	[mm]	4 x $h_{ef}$				
R120	Edge distance	$C_{cr,fi}$	[mm]	2 x $h_{ef}$				

<sup>1)</sup> in absence of other national regulations the partial safety factor for resistance under fire exposure  $\gamma_{M,fi} = 1.0$  is recommended  
If fire attack is from more than one side, the design method may be taken if edge distance of the anchor is  $c \geq 300$  mm

**Grip+/L, Grip+/A4**

**Performances**

Resistances under fire exposure

**Annex C5**