



**INSTITUTO DE CIENCIAS
DE LA CONSTRUCCIÓN
EDUARDO TORROJA**

C/ Serrano Galvache 4. 28033 Madrid (Spain)
Tel.: (34) 91 302 04 40. Fax: (34) 91 302 07 00
direccion.ietcc@csic.es <https://dit.ietcc.csic.es>

**European Technical
Assessment**

**ETA 22/0197
of 28.02.2023**

English translation prepared by IETcc. Original version in Spanish language

General part

Technical Assessment Body issuing the ETA designated according to Art. 29 of Regulation (EU) 305/2011:

Instituto de Ciencias de la Construcción Eduardo Torroja (IETcc)

Trade name of the construction product:

larcore® A2

Product family to which the construction product belongs:

Thin metal composite sheet

Manufacturer:

ALUCOIL, S.A.U

C/ Ircio, parcelas R72-R77. Pol. Ind. de Bayas
09200 MIRANDA DE EBRO (Burgos) Spain.
website: www.alucoil.com

Manufacturing plant:

ALUCOIL, S.A.U

C/ Ircio, parcelas R72-R77. Pol. Ind. de Bayas
09200 MIRANDA DE EBRO (Burgos) Spain.
website: www.alucoil.com

This European Technical Assessment contains:

12 pages including 3 annexes of which Annex 1 and 2 forms an integral part of the assessment. Annex 1 contains confidential information not included in the European Technical Assessment when that assessment is publicly available

This European Technical Assessment is issued in accordance with regulation (EU) No 305/2011, on the basis of:

EAD 210046-01-1201. Ed. Feb. 2022
Thin Metal Composite Sheet

This ETA is a corrigendum of:

ETA 22/0197 version 1 issued on the 18/04/2022

Translations of this European Technical Assessment in other languages shall fully correspond to the original issued document and shall be identified as such.

This European Technical Assessment may be withdrawn by the issuing Technical Assessment Body, in particular pursuant to information by the Commission according to Article 25 Paragraph 3 of Regulation (EU) No 305/2011



Specific part

1. Technical description of the product

The subject of this European Technical Assessment (ETA) are thin metal composite sheets (TCMS) Iarcore® A2. These TCMS (also commercially known as Iarcore® A2 “panels”) consists of two thin layers of metallic skin, which are sandwiching a thin honeycomb core in a continuous co-extrusion process. The external face of metallic skin is always pre-coated. The bonding of metallic skins to core is achieved by adhesive applied to the bottom and upper sides of the honeycomb core. The bond is formed by temperature and pressure under controlled conditions.

The product is available on lengths from 2 000 mm to 14 000 mm and on widths of 1 000 mm, 1 250 mm, 1 500 mm, and 2 000 mm. Its name is expressed as “Iarcore® A2 - thickness of sheet (mm) – thicknesses of front-side/rear side of metallic skins (not mentioning mm). The range of the product covers Iarcore® A2 6 mm 0.7/0.5, Iarcore® A2 8 mm 0.7/0.7, Iarcore® A2 10 mm 0.7/0.7, Iarcore® A2 14 mm 0.7/0.7, Iarcore® A2 14 mm 1/1, Iarcore® A2 15 mm 1/1, and Iarcore® A2 20 mm 1/1, composed by:

- Faced metallic skins made of aluminium alloy according to EN 1396¹. The skins are coated front-side with a primer, and then a PVDF, DG5 or Fluorlac® top coat. The rear side is coated with a grey-white primer.
- Aluminium honeycomb core. The core cell has 1/4 inch (6,35 mm) in diameter. The TMCS shall be installed watertight solution according to e.g. one of the following options:
 - a) Riveted double edge closing.
 - b) Perimeter flanges made by routing and grooving its borders (cassettes).
- Adhesive layer for bonding faced skins and core through a continuous industrial process.

Further information on components is presented at Tables 1 and 2:

Table 1: Physical data of TCMS components

Material	Characteristics	Value (tolerances)
Removable protection film	Aspect: Nominal Thickness (µm):	White and blue 100
Coating layer of front-side skin	Fluorlac® ²	Nominal Thickness (µm): 25
	DG5 ³	Nominal Thickness bi-layer (µm): 25
		Nominal Thickness bi-layer (µm) COASTAL: 35
		Nominal Thickness three-layer (µm) COASTAL: 55
PVDF	Nominal Thickness bi-layer (µm): 25	
	Nominal Thickness bi-layer (µm) COASTAL: 31	
	Nominal Thickness three-layer (µm): 37	
	Nominal Thickness three-layer (µm) COASTAL: 40	
Front-side and rear –side skins made of alloyed aluminium EN AW ⁴ 5005 H42 or H43 or H44, 5754 H48, 3005 H44, 3105 H48, 3004 H49	Nominal thicknesses range (mm): Linear thermal expansion coefficient (K ⁻¹):	0.5 - 1.0 23 x 10 ⁻⁶
Polymeric based adhesive for bonding skins to core	Thickness (mm): Colour:	0.05 Beige
Honeycomb core EN AW 3005	Aspect:	Natural colour
	Nominal Thickness (mm):	4.8-18
	Composition:	Confidential (Annex 2)
	Density (kg/m ³):	56
Coating layer (grey-white primer) on rear-side skin	Thickness (µm):	5

Table 2: Mechanical data of cladding material

Material	Characteristic	Value	
External and rear sheet of coated alloyed aluminium EN AW ⁴ 5005 H42 or H43 or H44, 5754 H48, 3005 H44, 3105 H48, 3004 H49	E Modulus (MPa):	70 000	
	Tensile strength R _m (MPa) ¹	H42	125 - 165
		H44	145 - 215
		H48	>195
		H49	>260
	Yield strength R _p 0,2 (MPa) ¹	H42	> 80
		H44	> 110
		H48	>170
		H49	> 220
	Elongation A ₅₀ (%) ¹	H42	> 2
		H44	> 2
		H48	>1
H49		> 1	

¹ EN 1396:2015. Aluminium and aluminium alloys. Coil coated sheet and strip for general applications. Specifications

² Fluorlac® is the commercial name for coating consisting of FEVE resin.

³ DG5 is the commercial name for coating consisting of HQPE.

⁴ Other alloys and tempers may be available if matching the characteristics.



2. Specification of the intended use in accordance with the applicable EAD.

2.1. Intended use

The (TCMS) product is intended to be used for manufacturing of:

- Cladding elements (cassettes/coffering, panels) in external and internal wall cladding kits.
- Parts (filling elements) of partition kits.
- Filling elements in external or internal supported ceilings.
- Rail filling.
- Substrate boards for information and orientation systems.

The provisions made in this European Technical Assessment are based on an assumed working life of 25 years as minimum according to EAD, provided that the TMCSs are subject to appropriate use and maintenance.

The indications given on the working life cannot be interpreted as a guarantee given by the producer, but are to be regarded only as a means for choosing the right product in relation to the expected economically reasonable working life of the works.

2.2. Manufacturing

The European Technical Assessment is issued for the TMCS ("panels") Iarcore® A2 assessed on the basis of agreed data/information, deposited with the Instituto de Ciencias de la Construcción Eduardo Torroja (IETcc), which identifies adequately these products. Changes to the product or production process, which could result in this deposited data/information being incorrect, shall be notified to IETcc before changes are introduced.

IETcc will decide whether or not such changes affect the ETA and consequently the validity of the CE marking on the basis of the ETA and if so whether further assessment or alterations to the ETA shall be necessary.

2.3. Design and installation

It is assumed that the product will be installed according to the manufacturer's instructions or (in the absence of such instructions) according to the usual practice of the building professionals.

2.4. Packaging, transport and storage

The information on packaging, transport, and storage is given in the manufacturer's technical documentation. It is the responsibility of the manufacturer to ensure that this information is made known to the concerned people. Products must be stored in a dry and cool place and protected from sun, rain and snow.

2.5. Use, maintenance and repair

Maintenance of the installation of the construction elements resulting from manufacturing of panel should include inspections on site, taking into account the following aspects:

- Appearance of any damage such as cracking, delamination o detachment due to permanent and irreversible deformation.
- Regarding other metallic elements used for its fixing: Presence of corrosion or water accumulation.
- Necessary repairs should be done rapidly, using the same kit components and following the repair instructions given by ETA holder.

The information on use, maintenance and repair is given in the manufacturer's technical documentation. It is the responsibility of the manufacturer to ensure that this information is made known to the concerned people.



3. Performance of the product and references to the methods used for its assessment

- **Basic Works Requirement 2. Safety in case of fire:**

1. Reaction to fire: No performance assessed⁵.
2. Façade fire performance: No performance assessed⁶.

- **Basic Works Requirement 4. Safety and accessibility in use:**

3. Tensile performance: No performance assessed.
4. Tensile strength perpendicular to the face:

The tensile strength perpendicular to face has been determined according to EAD 210046-01-1201, clause 2.2.4.

Table 3. Tensile strength perpendicular to face of TMCS Iarcore® A2

TMCS Iarcore® A2	Performance at initial conditions	Unit	Average Value $\sigma_{mt,av}$	Standard deviation σ_n	Characteristic value ($\sigma_{mt,k}$)
Iarcore® A2 6 mm ⁷ 0.7/0.5	Tensile strength perpendicular to face	[MPa]	2.570	0.327	1.808
Iarcore® A2 14 mm ⁸ 1/1	Tensile strength perpendicular to face	[MPa]	2.539	0.112	2.279
Iarcore® A2 20 mm 1/1	Tensile strength perpendicular to face	[MPa]	2.448	0.098	2.220

5. Flexural performance:

- Initial 4-point bending strength $R_{bend,INI}$: It has been determined according to EAD 210046-01-1201, clause 2.2.5.1. The results are shown in table 4:

Table 4. Bending performance in 4-point test arrangement of TMCS Iarcore® A2 at initial state

Iarcore® A2	Performance at initial state	Unit	Average value	Standard deviation (σ_n)	Characteristic value given as 95 % quartile on confidence level 75 %	One-sided bottom confidence level at the confidence level 95 %
Iarcore® A2 6 mm ⁹ 0.7 _{up} /0.5 _{down}	Bending strength	[MPa]	No performance assessed			
	Bending modulus of elasticity	[GPa]	No performance assessed			
Iarcore® A2 6 mm ⁷ 0.7 _{down} /0.5 _{up}	Bending strength	[MPa]	$R_{bend,INI,ave} = 54.667$	4.080	$R_{bend,INI,k} = 45.782$	n/a **
	Bending modulus of elasticity	[GPa]	$E_{bend,ave} = 27.844$	0.699	n/a **	$E_{bend,0,95} = 27.268$
Iarcore® A2 14 mm ⁸ 1/1	Bending strength	[MPa]	$R_{bend,INI,ave} = 39.240$	0.630	$R_{bend,INI,k} = 37.867$	n/a **
	Bending modulus of elasticity	[GPa]	$E_{bend,ave} = 17.890$	0.606	n/a **	$E_{bend,0,95} = 17.392$
Iarcore® A2 20 mm 1/1	Bending strength	[MPa]	$R_{bend,INI,ave} = 27.570$	0.57	$R_{bend,INI,k} = 26.335$	n/a **
	Bending modulus of elasticity	[GPa]	$E_{bend,ave} = 11.683$	0.581	n/a **	$E_{bend,0,95} = 11.205$
Remarks: * No breakage occurs during test. $F_{bend,INI}$ considered for calculation of bending strength is the load causing plastic deflection ** n/a = not applicable						

- Initial 3-point flexural strength $R_{flex,INI}$: No performance assessed.

⁵ See Annex 3.1 for reaction to fire classifications of Iarcore® A2 based HideTech® cladding kits, according to EN 13501-1.

⁶ See Annex 3.2 for façade fire performance results of Iarcore® A2 based HideTech® cladding kits, according to BS 8414 and other standards

⁷ Configuration test results can be extended to Iarcore® A2 8 mm 0.7/0.7, Iarcore® A2 10 mm 0.7/0.7, Iarcore® A2 14 mm 0.7/0.7

⁸ Configuration test results can be extended to Iarcore® A2 15 mm 1/1

⁹ Configuration tested for Iarcore® A2 6 mm 0.7_{down}/0.5_{up} may be more unfavorable than 0.5_{up}/0.7_{down}



6. Shear Performance: No performance assessed.

7. Thickness

7.1. Total thickness has been determined according to EAD 210046-01-1201, clause 2.2.7.1.

Table 5 Total thickness of TMCS Iarcore® A2

Iarcore® A2	Performance	Unit	Median value	Standard deviation (σ_n)	Two-sided confidence interval of thickness at the confidence level 95 % ($d_{0,975}$)
Iarcore® A2 6 mm 0.7/0.5	Total thickness of sheet	[mm]	5.96	0.056	5.89 – 6.02
Iarcore® A2 8 mm 0.7/0.7	Total thickness of sheet	[mm]	8.05	0.025	8.02 – 8.09
Iarcore® A2 10 mm 0.7/0.7	Total thickness of sheet	[mm]	9.97	0.035	9.93 – 10.01
Iarcore® A2 14 mm 0.7/0.7	Total thickness of sheet	[mm]	13.85	0.040	13.80 – 13.90
Iarcore® A2 14 mm 1/1	Total thickness of sheet	[mm]	13.89	0.006	13.88 – 13.89
Iarcore® A2 15 mm 1/1	Total thickness of sheet	[mm]	15.03	0.065	14.95 – 15.11
Iarcore® A2 20 mm 1/1	Total thickness of sheet	[mm]	19.79	0.067	19.70 – 19.87

7.2. Thickness of skin

The thickness of skin has been determined according to EAD 210046-01-1201, clause 2.2.7.2.

Table 6. Thicknesses of skins of TMCS Iarcore® A2

Iarcore® A2	Performance	Unit	Median value	Standard deviation (σ_n)	Two-sided confidence interval of thickness at the confidence level 95 % ($d_{0,975}$)
Iarcore® A2 6 mm ⁷ 0.7/0.5	Thickness of skin (0.7)	[mm]	0.69	0.009	0.67 – 0.70
	Thickness of skin (0.5)	[mm]	0.48	0.010	0.46 – 0.49
Iarcore® A2 14 mm ⁸ 1/1	Thickness of skin (front)	[mm]	0.98	0.004	0.98 – 0.99
	Thickness of skin (rear)	[mm]	0.98	0.012	0.97 – 1.00
Iarcore® A2 20 mm 1/1	Thickness of skin (front)	[mm]	0.97	0.010	0.95 – 0.98
	Thickness of skin (rear)	[mm]	0.99	0.021	0.96 – 1.02

8. Apparent area density: No performance assessed.

9. Torque peel strength:

The torque peel strength has been determined according to EAD 210046-01-1201, clause 2.2.9.

Table 7. Torque peel strength of TMCS Iarcore® A2

Iarcore® A2	Performance at initial state		Unit	Torque peel strength average ($T_{INI,av}$)	Standard deviation (σ_n)	Two-sided confidence interval of torque peel strength in initial state $T_{INI,0,975}$
Iarcore® A2 6 mm ⁷ 0.7/0.5	0.7 mm skin-core	Torque peel strength	N.m/m	21.70	3.60	12.77 – 30.63
	0.5 mm skin-core	Torque peel strength	N.m/m	23.49	1.81	18.99 – 27.99
Iarcore® A2 14 mm ⁸ 1/1	Front side skin-core	Torque peel strength	N.m/m	48.21	6.16	32.91 – 63.50
	Rear side skin-core	Torque peel strength	N.m/m	52.35	1.78	47.93 – 56.77
Iarcore® A2 20 mm 1/1	Front side skin-core	Torque peel strength	N.m/m	62.23	6.38	46.40 – 78.05
	Rear side skin-core	Torque peel strength	N.m/m	77.23	0.56	75.84 – 78.62

10. Hard body impact resistance: No performance assessed ¹⁰.

- **Basic Works Requirement 5. Protection against noise:**

11. Dynamic stiffness: No performance assessed.

¹⁰ See Annex 3.3 for impact resistances categories obtained by Iarcore® A2 based -HideTech® cladding kits according to EAD 090062-00-04.04



• **Basic Works Requirement 6. Energy economy and heat retention**

12. Coefficient of thermal conductivity: No performance assessed.

• **Aspects of durability**

13. Durability

13.1. Hygrothermal behaviour: No performance assessed.

13.2. Effect of immersion for 6 hours in water at 90 °C

The change of torque peel strength has been determined according to EAD 210046-01-1201, clause 2.2.13.2.

Table 8. Change of torque peel strength of TMCS Iarcore® A2 after 6 h in water at 90 °C

Iarcore® A2	Performance after 6 h in water at 90 °C		Unit	Torque peel strength average $T_{i,6h,90°C,av}$	Standard deviation σ_n	Relative change of torque peel strength $\Delta T_{i,6h,90°C}$	Description of defects of test specimen
Iarcore® A2 6 mm ⁷ 0.7/0.5	0.7 mm skin-core	Torque peel strength	N.m/m	24.38	7.08	+112.33 %	Without defects
	0.5 mm skin-core	Torque peel strength	N.m/m	19.98	0.132	+86.49%	Without defects
Iarcore® A2 14 mm ⁸ 1/1	Front side -core	Torque peel strength	N.m/m	57.95	4.12	+120.20 %	Without defects
	Rear side core	Torque peel strength	N.m/m	59.47	14.74	+141.93%	Without defects
Iarcore® A2 20 mm 1/1	Front side -core	Torque peel strength	N.m/m	88.67	5.56	+142.49 %	Without defects
	Rear side core	Torque peel strength	N.m/m	92.57	22.47	+139.66%	Without defects

The change of 4-points bending strength has been determined according to EAD 210046-01-1201, clause 2.2.13.2

Table 9. Change of 4-points bending strength of TMCS Iarcore® A2 after 6 h 90 °C

Iarcore® A2	Performance after 6 hours of immersion in water at 90 °C	Unit	Bending strength average $R_{i,6h,90°C,av}$	Standard deviation σ_n	Relative change of bending strength $\Delta R_{i,6h,90°C}$	Description of defects of test specimen
Iarcore® A2 6 mm ⁹ 0.7 _{up} /0.5 _{down}	4P Bending strength	MPa	No performance assessed			
Iarcore® A2 6 mm ⁷ 0.7 _{down} /0.5 _{up}	4P Bending strength	MPa	53.319	3.051	97.535	Without defects
Iarcore® A2 14 mm ⁸ 1/1	4P Bending strength	MPa	35.416	0.650	90.254	Without defects
Iarcore® A2 20 mm 1/1	4P Bending strength	MPa	26.050	0,301	94.487	Without defects

13.3. Effect of immersion for 500 hours in water at 20 °C

The change of torque peel strength has been determined according to EAD 210046-01-1201, clause 2.2.13.3

Table 10. Change of torque peel strength of TMCS Iarcore® A2 after immersion 500 h 20 °C

Iarcore® A2	Performance after 500 hours of immersion in water at 20 °C		Unit	Torque peel strength average $T_{i,500h,20°C,av}$	Standard deviation σ_n	Relative change of torque peel strength $\Delta T_{i,500h,20°C}$	Description of defects of test specimen
Iarcore® A2 6 mm ⁷ 0.7/0.5	0.7 mm skin-core	Torque peel strength	N.m/m	24.10	8.247	+111.06 %	Without defects
	0.5 mm skin-core	Torque peel strength	N.m/m	22.72	11.174	+98.37 %	Without defects
Iarcore® A2 14 mm ⁸ 1/1	Front side -core	Torque peel strength	N.m/m	56.70	2.886	+117.61 %	Without defects
	Rear side core	Torque peel strength	N.m/m	70.53	9.345	+168.62%	Without defects
Iarcore® A2 20 mm 1/1	Front side -core	Torque peel strength	N.m/m	94.56	45.874	+151.95 %	Without defects
	Rear side core	Torque peel strength	N.m/m	62.77	93.155	+94.70%	Without defects



The change of bending strength has been determined according to EAD 210046-01-1201, clause 2.2.13.3.

Table 11. Change of 4-points bending strength of TMCS Iarcore® A2 after immersion 500 h 20 °C

TMCS Iarcore® A2	Performance after immersion 500 hours in water at 20 °C	Unit	Bending strength average $R_{i,500h,20°C,av}$	Standard deviation σ_n	Relative change of bending strength $\Delta R_{i,500h,20°C}$	Description of defects of test specimen
Iarcore® A2 6 mm ⁹ 0.7 _{up} /0.5 _{down}	Bending strength	MPa	No performance assessed			
Iarcore® A2 6 mm ⁷ 0.7 _{down} /0.5 _{up}	Bending strength	MPa	57.87	3.274	105.868	Without defects
Iarcore® A2 14 mm ⁸ 1/1	Bending strength	MPa	37.878	0.686	96.528	Without defects
Iarcore® A2 20 mm 1/1	Bending strength	MPa	26.573	0.284	96.382	Without defects

13.4. Effect of freeze-thaw cycles: No performance assessed.

13.5. Effect of long term exposure to heat (2 500 hours at hot dry air 80 °C) No performance assessed.

13.6. Creep test. No performance assessed.



4. Assessment and verification of constancy of performance AVCP

For the products covered by this EAD with regard to their intended use for manufacturing of elements for kits for exterior wall claddings the applicable European legal act is Decision 2003/640/EC:

- The system is: **2+**

5. Technical details necessary for the implementation of the AVCP system, as provided for in the applicable EAD

The ETA is issued for this kit on the basis of agreed data/information which identifies the product that has been assessed and judged. Detailed description and conditions of the manufacturing process of the product, and all the relevant design and installation criteria of this product are specified in the manufacturer's technical documentation deposited with the IETcc. It is the manufacturer's responsibility to make sure that all those who use the product are appropriately informed of specific conditions according to sections 1, 2, 3, 4 and 5 including the annexes of this ETA.



Instituto de Ciencias de la Construcción Eduardo Torroja
CONSEJO SUPERIOR DE INVESTIGACIONES CIENTÍFICAS

c/ Serrano Galvache n. 4. 28033 Madrid.
Tel.: (34) 91 302 04 40
<https://dit.ietcc.csic.es>



On behalf of the Instituto de Ciencias de la Construcción Eduardo Torroja
Madrid, 28th February 2023

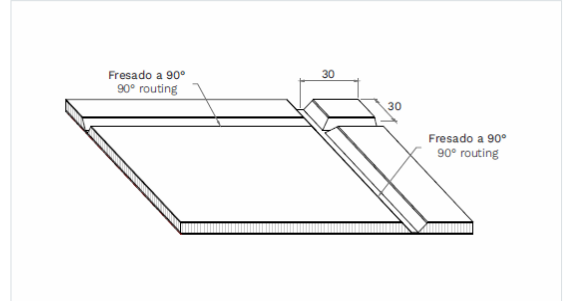
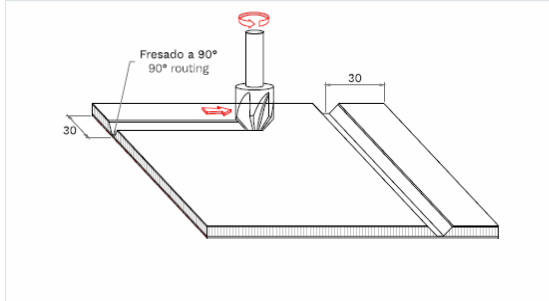
Director



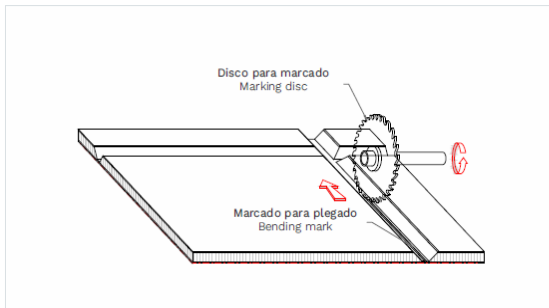
Annex 1: Quality control

This confidential information and is not included in the European Technical Assessment when that assessment is publicly available.

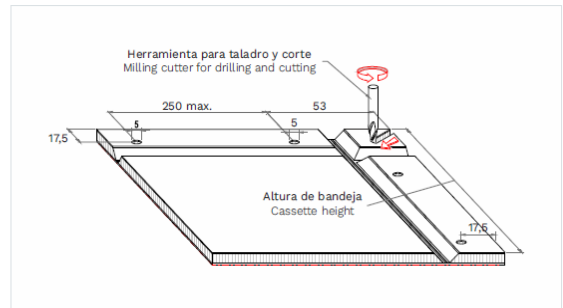
Annex 2: Figures of examples of routing and grooving, bending and borders protection



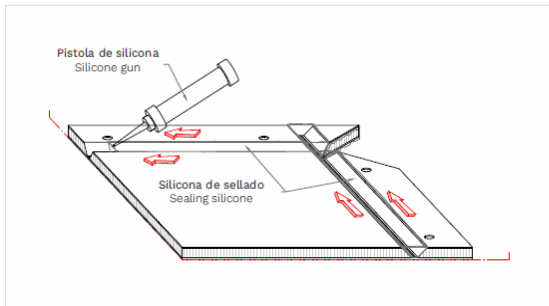
Routing of the panel around the four sides. Distance between panel edge and routing center should be 30 mm.



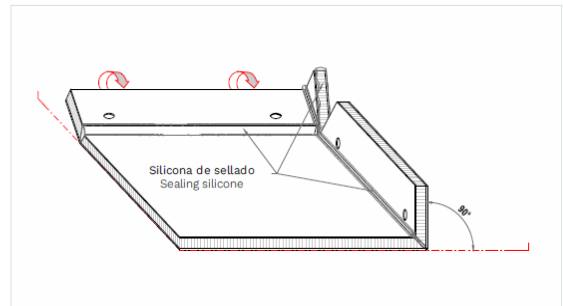
To achieve an accurate 90° bending, it is necessary to mark the middle of the lower side of the routing.



Cutting and drilling in the panel sides to shape the cassette.

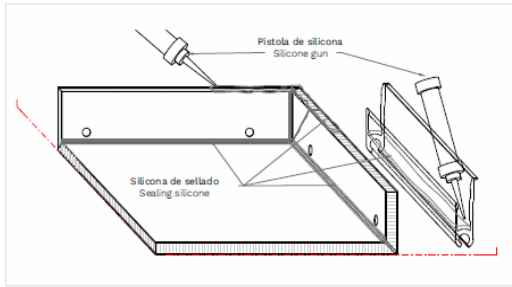


Sealing silicone of the panel.

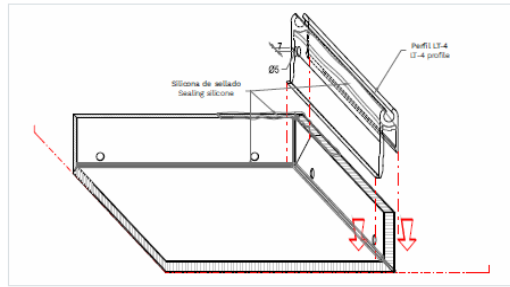


Bending to 90° of the edges.

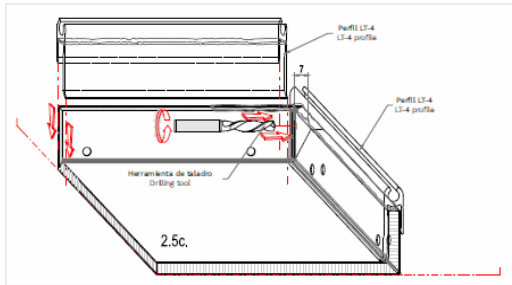




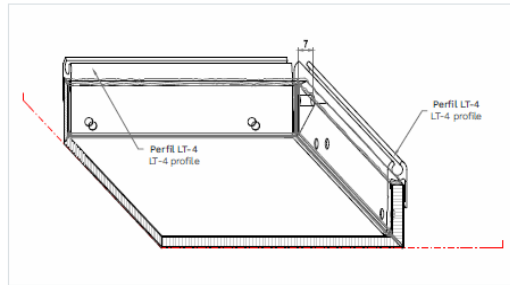
Sealing silicone is also applied to cassette corners and the inside of the LT-4 profiles along its entire length.



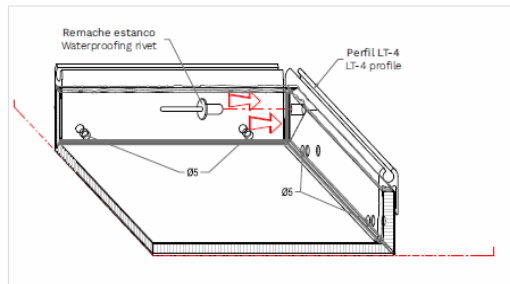
Placement to the LT-4 profile. Before a drill should be done in both sides of the profile.



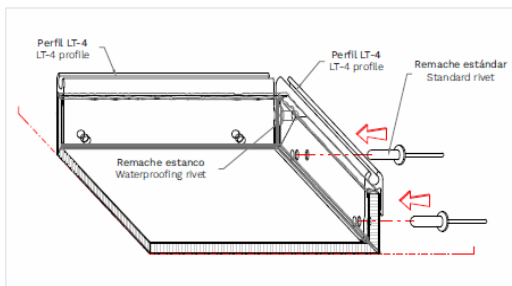
Drilling of the panel through its internal face to fix in the panel of the waterproofing rivet.



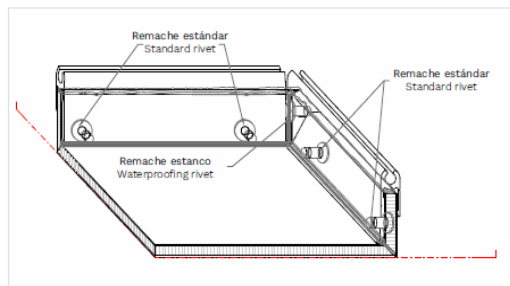
Drilling of the panel through its external face to fix in the panel of the standard rivet.



Fixing of the waterproofing rivets.

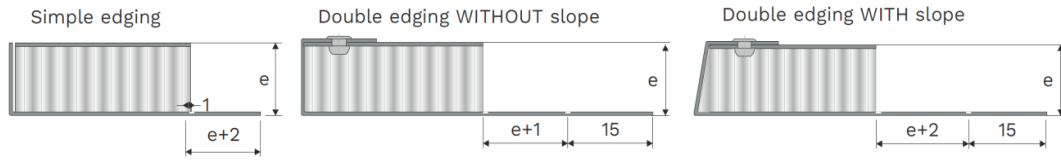
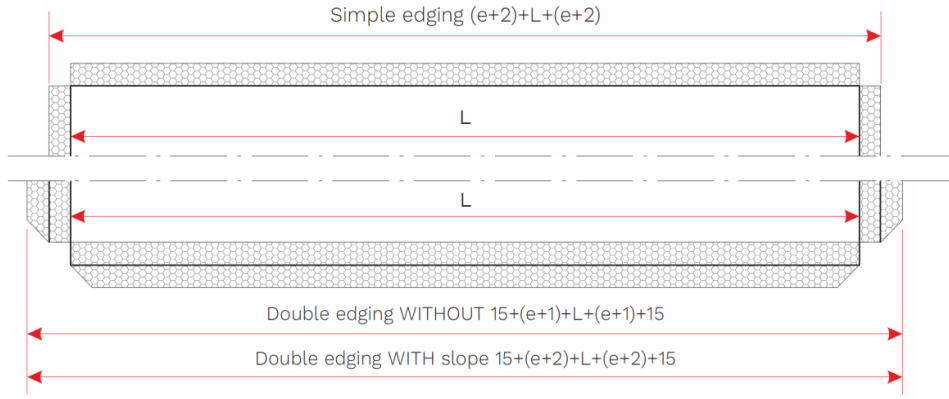


Fixing of the standard rivets.

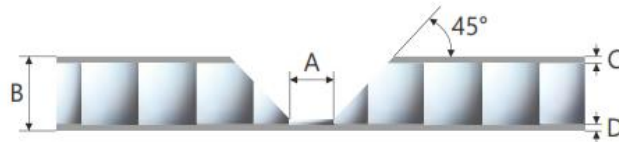


Cassette finished and ready to install with **Hidetech® LIGHT** installation system.





- A: 5 mm
- B: (6-8-10-14-15-20) mm
- C: 0.5 mm / 0.7 mm / 1 mm
- D: 0.7 mm / 1 mm



Annex 3: Complementary data of Iarcore® A2 as cladding material of Hidetech® cladding kits

This Annex shows complementary data regarding characteristics not assessed by IETcc.

3.1. Reaction to fire classes obtained by Iarcore® A2 based HideTech® cladding kits

Table 12. Index of classifications of cladding kit HideTech® according to EN 13501-1:2019

Cladding kit	TMCS Iarcore® A2 as cladding material	Class	Test Report	Date of issue	Laboratory
HideTech® Light	Iarcore® A2 6 mm 0.7/0.5	A2-s1, d0	21/22639-1004-1 (Tests Report) 21/22639-1004-2 (Classif. Report)	04.08.2021	Applus-LGAI
HideTech® Pro	Iarcore® A2 8 mm 0.7/0.7 Iarcore® A2 20 mm 1/1	A2-s1, d0	21/22639-1005-1 (Tests Report) 21/22639-1005-2 (Classif. Report)	04.08.2021	Applus-LGAI

3.2. Façade fire performance results obtained by Iarcore® A2 based HideTech® cladding kits

Table 13. Index of results of cladding kit HideTech® according to BS 8414-2:2020

Cladding kit	TMCS Iarcore® A2 as cladding material	Results	Report	Date of issue	Laboratory
HideTech® Light	Iarcore® A2 6 mm 0.7/0.5	BR 135 Passed	087828-001-A (Tests Report) 087828-002-A (Classif. Report)	11.12.2020	Tecnalia
HideTech® Pro	Iarcore® A2 14 mm 1/1	BR 135 Passed	095153-001 (Tests Report) 095153-002 (Classif. Report)	26.11.2021	Tecnalia

Remarks:

Other Full-scale fire tests results obtained are summarized below:

USA: According to NFPA 285-Passed for Hidetech Pro with Iarcore A2 14 mm.

Canada: According to NCANULC S134 –Passed for Iarcore A2 14 mm 0.7/0.7.

3.3. Impact resistance categories obtained by Iarcore® A2 based HideTech® cladding kits

Table 14. Index of results of cladding kit HideTech® according to EAD 0900062-00-04.04

Cladding kit	TMCS Iarcore® A2 as cladding material	Category	Report	Date of issue	Laboratory
HideTech® Pro	Iarcore® A2 14 mm 1/1	I	095153-001-a (Tests and classification Report)	21.01.2022	Tecnalia

